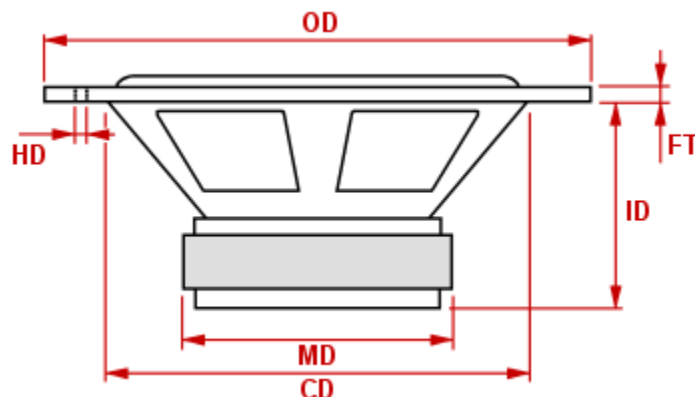




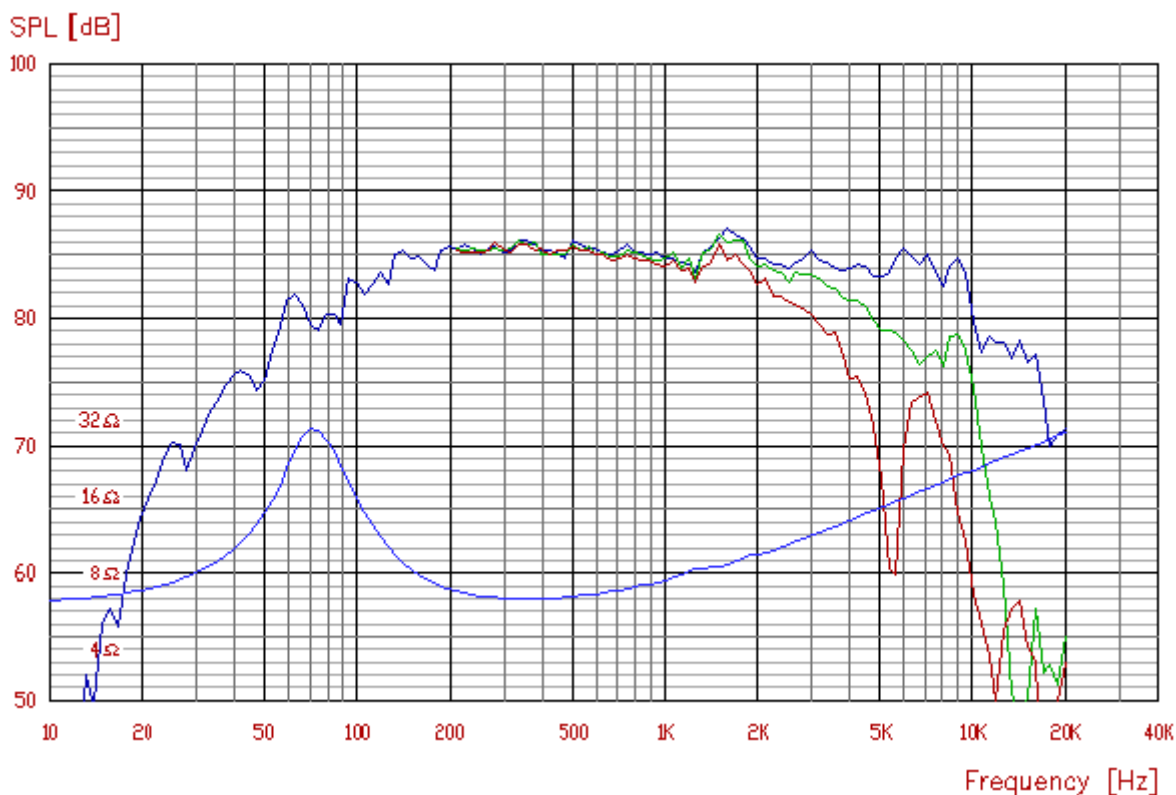
# vifa

## PL11WG09-08

Nominal impedance [ohm]	8
Voice coil resistance [ohm]	5.6
Nominal power [W]	35
Short term max power [W]	140
Long term max power [W]	80
Operating power [W]	12.6
Sensitivity [dB]	85
Frequency range [Hz]	70-5000
Free air resonance [Hz]	69
Voice coil diameter [mm]	25
Voice coil height [mm]	10
Air gap height [mm]	4
Voice coil inductance [mH]	0.61
Eff. diaphragm Area [cm <sup>2</sup> ]	58
Moving mass [g]	5.9
Magnet weight [g]/[oz]	240/8.5
Force factor [Bl]	4.9
VAS [l]	4.25
Q <sub>ms</sub>	2.20
Q <sub>es</sub>	0.60
Q <sub>ts</sub>	0.47



OD: 125 mm	CD: 101 mm
FT: -	ID: -
MD: -	HD: 5 mm



Frequency response: 2.83V / 1m